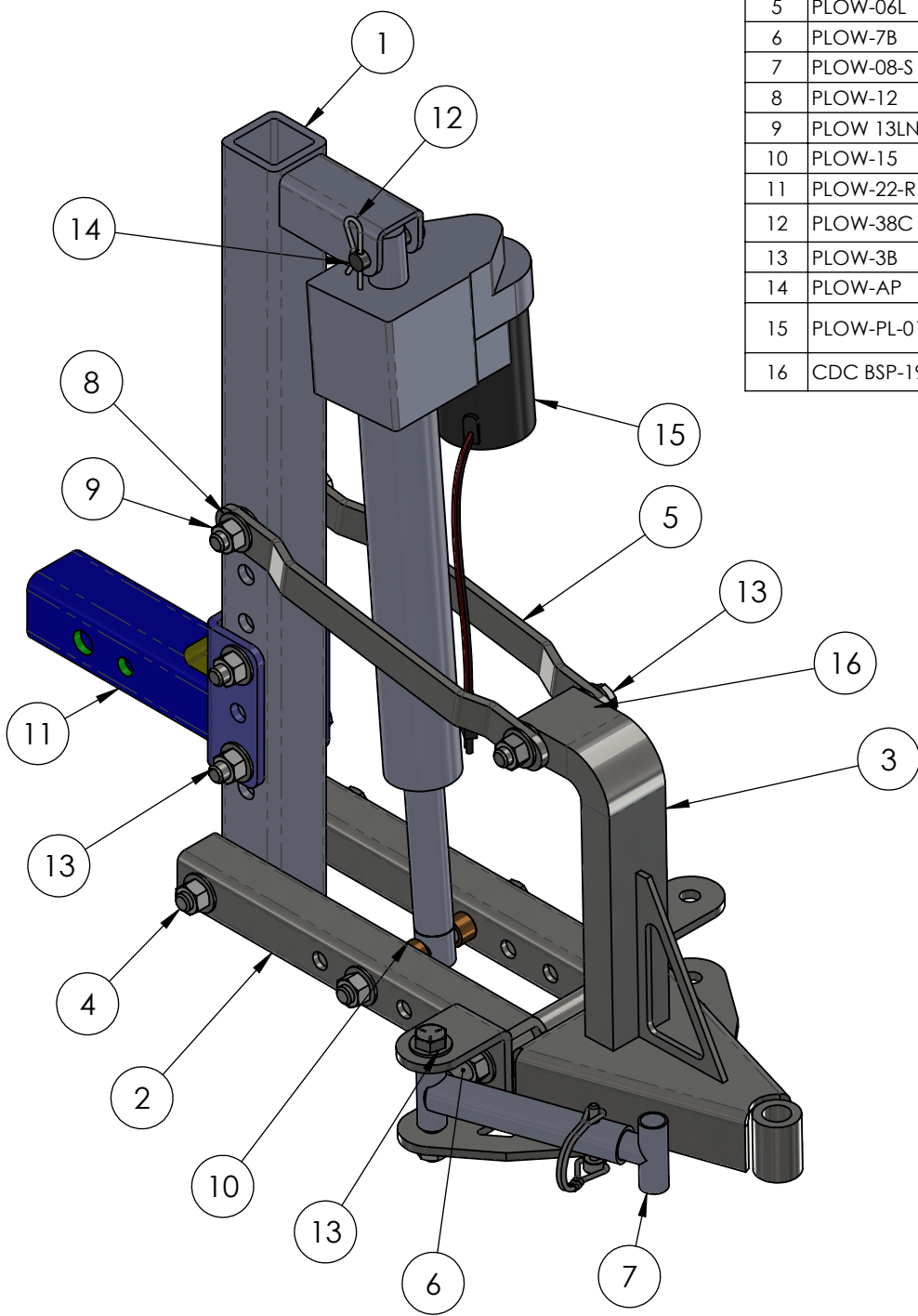


ITEM NO.	PART NO.	DESCRIPTION	QTY.
1	PLOW-01-S	RECEIVER UPRIGHT	1
2	PLOW-02-S	CENTER SECTION	1
3	PLOW-03-S	A-FRAME	1
4	PLOW-6B	1/2 -13 X 6" LG HEX BOLT	2
5	PLOW-06L	STABILIZER ARM	2
6	PLOW-7B	1/2 -13 X 7" LG HEX BOLT	1
7	PLOW-08-S	ANGLE ADJUSTMENT ARM	1
8	PLOW-12	9/16 WASHER	20
9	PLOW 13LN	1/2-13 LOCKNUT	8
10	PLOW-15	BUSHING	2
11	PLOW-22-R	MALE END ASSEMBLY	1
12	PLOW-38C	HAIRPIN COTTER PIN	1
13	PLOW-3B	1/2-13 X 3-1/2 LG HEX BOLT	5
14	PLOW-AP	CLEVIS PIN	1
15	PLOW-PL-01	STANDARD ELECTRIC ACTUATOR	1
16	CDC BSP-1937	BUSHING	1




DIMENSIONS ARE IN INCHES  
TOLERANCES:  
FRACTIONAL:  $\pm 1/16$   
ANGULAR:  $\pm 1^\circ$   
X.X  $\pm .1$   
X.XX  $\pm .06$   
X.XXX  $\pm .010$

MATERIAL	NOTED
FINISH	N/A
DO NOT SCALE DRAWING	

NAME	DATE
DRAWN CML	3/20/2018

COMMENTS:

NOTICE:  
THIS DOCUMENT IS TRANSMITTED SOLELY FOR THE PURPOSE OF AIDING THE TRANSACTION OF BUSINESS BETWEEN ALLEN PARTNERS SERVICE AND THE RECIPIENT AND MUST BE RETURNED ON REQUEST. ALL DRAWINGS, INFORMATION AND DATA INCLUDING ALL DESIGNS AND CONCEPTS CONTAINED HEREON ARE THE PROPERTY OF ALLEN PARTNERS SERVICE AND MAY NOT BE REPRODUCED OR COPIED IN WHOLE OR IN PART NOR APPROPRIATED TO USE(S) IN ANY WAY DETRIMENTAL TO THE INTERESTS OF ALLEN PARTNERS SERVICE INCLUDING DISCLOSURE TO OUTSIDE PARTIES, DIRECTLY OR INDIRECTLY. NOR CAN IT BE USED FOR THE MANUFACTURE OF ANY EQUIPMENT DESCRIBED WITHOUT THE SPECIFIC WRITTEN CONSENT OF ALLEN PARTNERS SERVICE.



DESCRIPTION

**ASSEMBLY INSTRUCTIONS: POWER UNIT PACKAGE, STANDARD ELECTRIC ACTUATOR**

SIZE	DWG. NO.	REV.
<b>A</b>	STANDARD ELECTRIC ACTUATOR	<b>A</b>

SCALE: 1:3    WEIGHT: 38.83    SHEET 1 OF 1