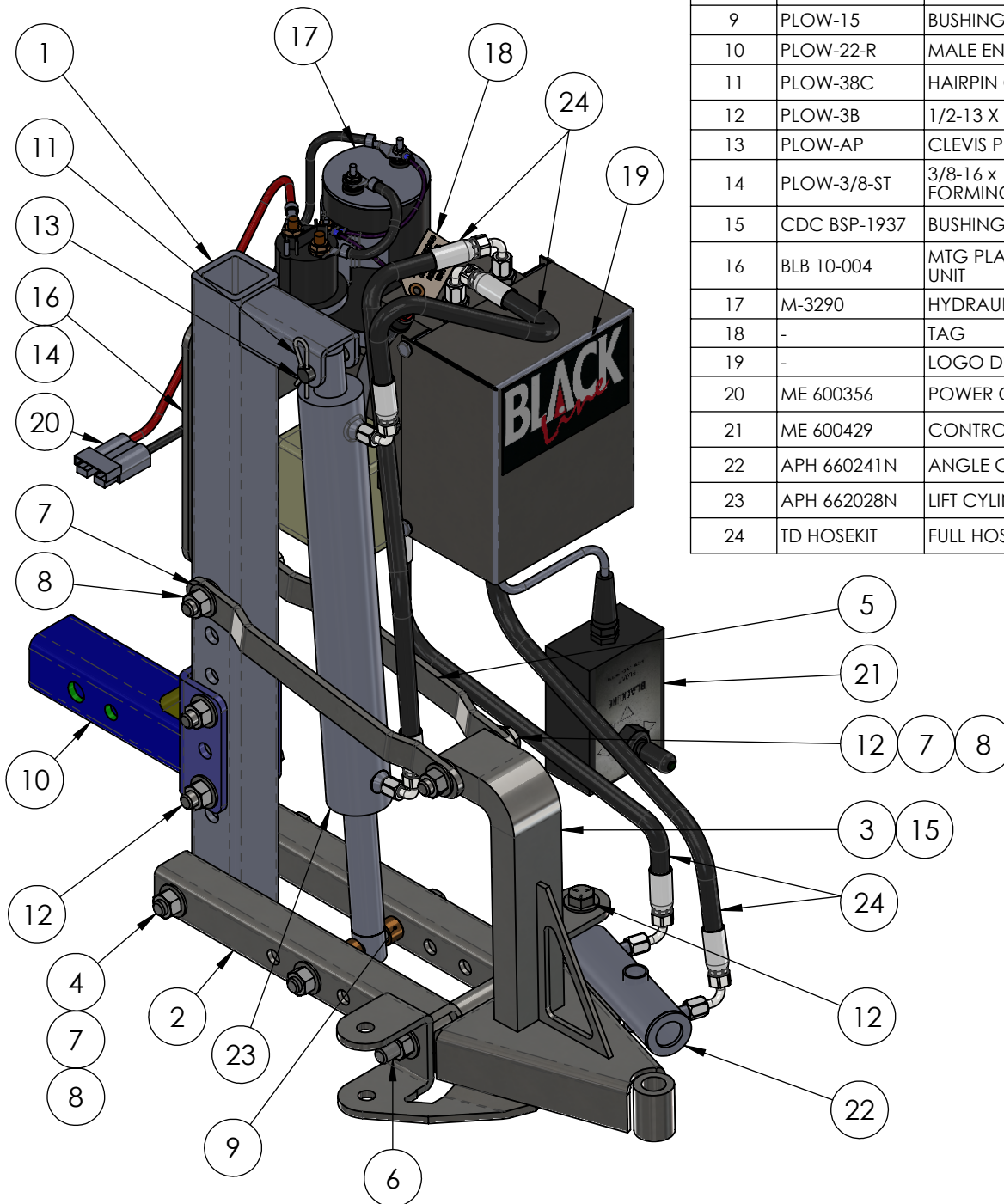



ITEM NO.	PART NUMBER	DESCRIPTION	QTY.
1	PLOW-01-S	RECEIVER UPRIGHT	1
2	PLOW-02-S	CENTER SECTION	1
3	PLOW-03-S	A-FRAME	1
4	PLOW-6B	1/2 -13 X 6" LG HEX BOLT	2
5	PLOW-06L	STABILIZER ARM	2
6	PLOW-7B	1/2 -13 X 7" LG HEX BOLT	1
7	PLOW-12	9/16 WASHER	20
8	PLOW 13LN	1/2-13 LOCKNUT	8
9	PLOW-15	BUSHING	2
10	PLOW-22-R	MALE END ASSEMBLY	1
11	PLOW-38C	HAIRPIN COTTER PIN	1
12	PLOW-3B	1/2-13 X 3-1/2 LG HEX BOLT	5
13	PLOW-AP	CLEVIS PIN	1
14	PLOW-3/8-ST	3/8-16 x 1" HEX HD THD-FORMING SCREW	2
15	CDC BSP-1937	BUSHING	1
16	BLB 10-004	MTG PLATE, HYD. POWER UNIT	1
17	M-3290	HYDRAULIC POWER UNIT KIT	1
18	-	TAG	1
19	-	LOGO DECAL	1
20	ME 600356	POWER CABLE	
21	ME 600429	CONTROLLER	
22	APH 660241N	ANGLE CYLINDER	
23	APH 662028N	LIFT CYLINDER	
24	TD HOSEKIT	FULL HOSE KIT	



DIMENSIONS ARE IN INCHES
TOLERANCES:
FRACTIONAL: $\pm 1/16$
ANGULAR: $\pm 1^\circ$
X.X $\pm .1$
X.XX $\pm .06$
X.XXX $\pm .010$

MATERIAL	NOTED
FINISH	N/A
DO NOT SCALE DRAWING	

NAME	DATE
DRAWN CML	3/20/2018
COMMENTS:	
<small>NOTICE: THIS DOCUMENT IS TRANSMITTED SOLELY FOR THE PURPOSE OF AIDING THE TRANSACTION OF BUSINESS BETWEEN BLACKLINE TM AND THE RECIPIENT AND MUST BE RETURNED ON REQUEST. ALL DRAWINGS, INFORMATION AND DATA INCLUDING ALL DESIGNS AND CONCEPTS CONTAINED HEREON ARE THE PROPERTY OF BLACKLINE TM AND MAY NOT BE REPRODUCED OR COPIED IN WHOLE OR IN PART NOR APPROPRIATED TO USE(S) IN ANY WAY DETRIMENTAL TO THE INTERESTS OF BLACKLINE TM INCLUDING DISCLOSURE TO OUTSIDE PARTIES, DIRECTLY OR INDIRECTLY. NOR CAN IT BE USED FOR THE MANUFACTURE OF ANY EQUIPMENT DESCRIBED WITHOUT THE SPECIFIC WRITTEN CONSENT OF BLACKLINE TM.</small>	



DESCRIPTION

ASSEMBLY INSTRUCTIONS: POWER UNIT PACKAGE, STANDARD HYDRAULIC ACTUATOR

SIZE	DWG. NO.	REV.
A	STANDARD HYDRAULIC ACTUATOR	B

SCALE: 1:5 | WEIGHT: 111.16 | SHEET 1 OF 1